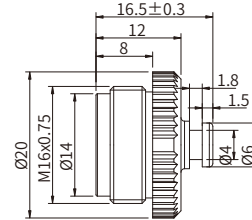


# M16 Protection Cap

## ■ M16 Protection Cap for Female Connector

- Connector series: M16
- Gender: For Female
- Locking type: Fix screw
- Part No.: PCSM16x0.75-1



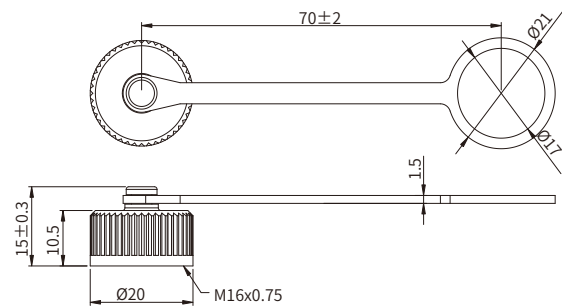
### ■ General information

Color:	Black
Nut/screw:	PA+GF

IP rating:	IP67/IP68 in locked condition
------------	-------------------------------

## ■ M16 Protection Cap for Male Panel-mount Connector

- Connector series: M16
- Gender: For Male
- Locking type: Fix screw
- Part No.: PCNM16x0.75-2



### ■ General information

Color:	Black
Nut/screw:	PA+GF
Gasket:	FKM

Loop:	TPU
IP rating:	IP67/IP68 in locked condition